

Z-Bar Mounting System

Installation Instructions for
Glass Markerboards



Tools Needed

- Drill
- 1/4" Drill Bit
- Phillips Head Screw Driver
- Level
- Tape Measure
- Pencil
- Safety Gloves
- Safety Goggles

Hardware Needed

- Size 8 Screws
- Drywall Anchors
- Wall Brackets (Z-Bar Included)

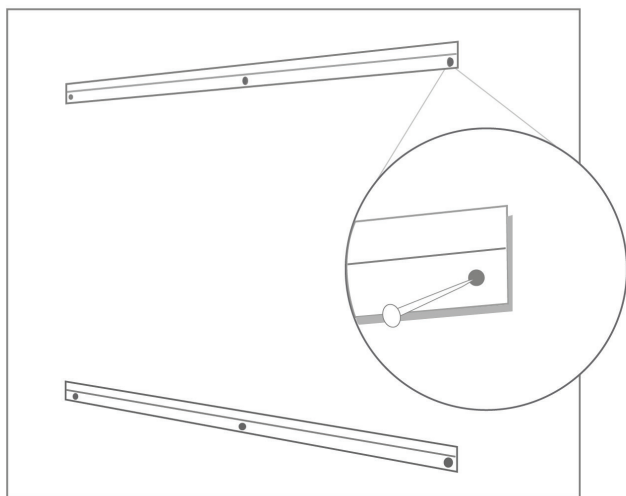
Preparing Your Z-Bar Mounting System

1. Unbox the product carefully and discard packing materials
2. Locate the provided hardware in the box

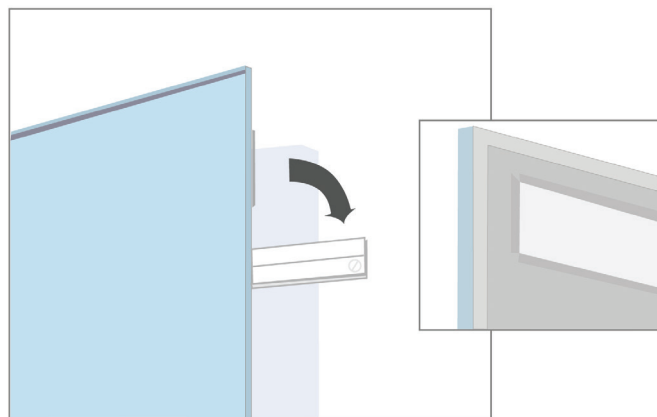
Installation

- Measure the distance from the top of the board, to the bottom of each row of Z-Bar Mounts (mounts adhered to the product). Add 1 1/4" to that measurement, this is where you'll line up the bottom of the wall bracket.
- Level the wall brackets and mark the hole locations with a pencil
- Drill pilot holes for the drywall anchors.
- Install the provided drywall anchors into the pilot holes
- Install the wall bracket into the drywall anchors with provided screws. (Fig. A)
- Ensure screws are flush to the wall bracket to prevent scratching.
- Hang the product ensuring that the Z-Bar Mount is secure to the product (Fig. B)

(Fig. A)



(Fig. B)



Cleaning Instructions

- Dry Erase markers can be wiped off using a simple eraser or dry cloth. Permanent markers may be removed using any standard glass cleaner. Periodic cleaning of your glass markerboard may be performed using glass cleaner on the front side of the board only.