



Solid Wood Reversible Boards

Installation Instructions for
Solid Wood Reversible Boards

AARGO
PRODUCTS INC.

Tools Needed

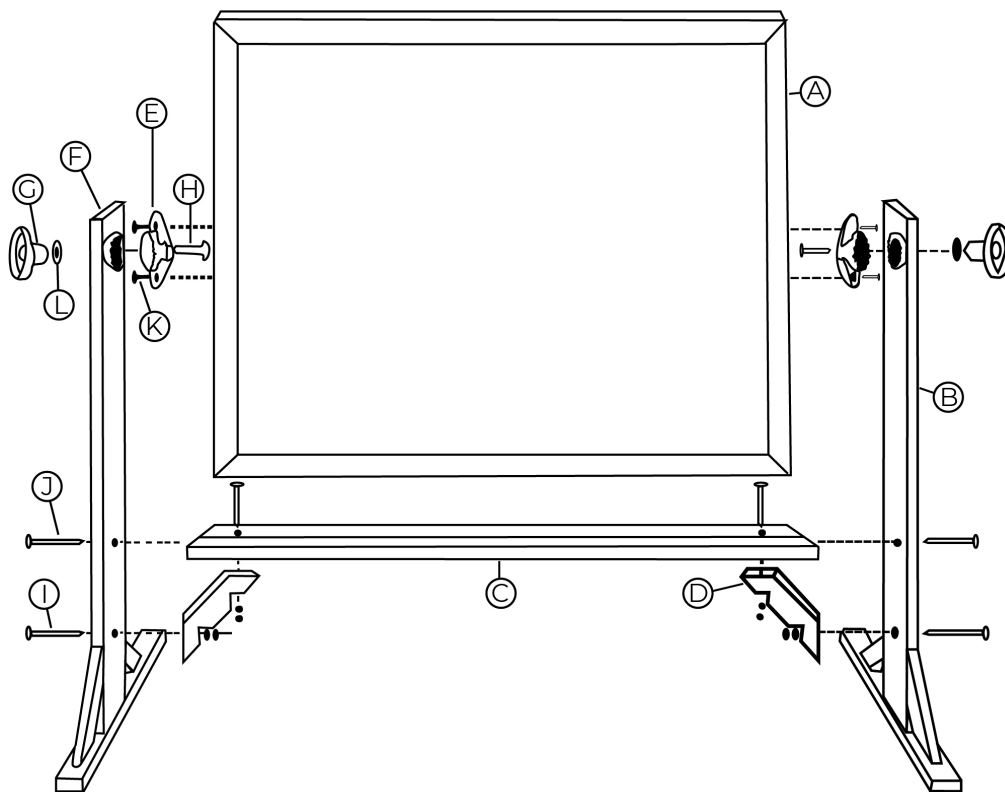
- Tape Measure
- Safety Glasses
- Safety Gloves
- Phillips Head Screwdriver
- Drill
- Level

Hardware Needed

- All parts included

Installation

1. Place Board (A) on flat surface. Be careful not to scuff bottom side of board.
2. Insert Carriage Bolt (H) through rear of Inner Revolving Lock (E). Attach Inner Revolving Lock (E) to board (A) with two wood screws (J).
3. Lie Stand Uprights (B) next to Board so that inner and outer Revolving Locks (E & F) are matched together and Carriage Bolt has passed completely through uprights. Now attach washer (K) and knob (C).
4. Fit Cross Member/Chalktray (C) between Stand uprights (B) and fasten with 2" wood screws.
5. Secure Stand Uprights to Crossmember/Chalktray using 2" Bolt/Nut combination (I) and tighten with phillips head screwdriver while holding nut with pliers.
6. Optional casters are attached with phillips head screwdriver to the holes in bottom of uprights.
7. The revolving chalkboard is now ready to stand upright for use as one of the most effective visual communication devices.



Parts Included

PART LIST	QUANTITY	DESCRIPTION
A	1	Double Sided Board
B	2	Stand Uprights
C	1	Cross Member/Chalktray
D	2	Diagonal Support Brackets
E	2	Inner Revolving Lock
F	2	Outer Revolving Lock
G	2	Tension Knob
H	2	Carriage Bolt
I	4	Nut & Bolt Combination
J	2	Wood Screw 2"
K	4	Wood Screw 3/4"
L	2	Washer