

# SPREAD PROTECTION PRODUCTS CHALLENGER SERIES

BY **AARGO**  
PRODUCTS INC.



**Free Standing  
Spread Protection Shields**



**“U” Shaped Desktop  
Spread Protection Shields**



**“L” Shaped Desktop  
Spread Protection Shields**

# FREE STANDING SPREAD PROTECTION SHIELDS

Aarco Products clear, Free Standing Spread Protection Shields are easy to assemble (without tools) and are made of 3mm (1/8") acrylic or polycarbonate material. Standard size units range from 18" to 36" Wide and up to 30" High. Custom sizes are available for special order. All edges and corners are machined for safe and convenient use.



## Free Standing Protection Shield - Acrylic

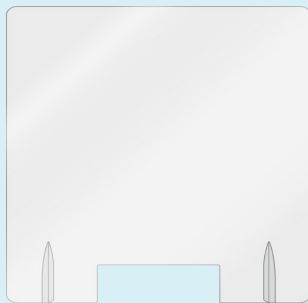
PASS THRU MODEL #	NO PASS THRU MODEL #	H X W	LIST PRICE
FPS1824-3	FPT1824-3	18" x 24"	\$74.00
FPS2418-3	FPT2418-3	24" x 18"	\$74.00
FPS2424-3	FPT2424-3	24" x 24"	\$90.00
FPS2448-3	FPT2448-3	24" x 48"	\$136.00
FPS3024-3	FPT3024-3	30" x 24"	\$100.00
FPS3036-3	FPT3036-3	30" x 36"	\$130.00

## Free Standing Protection Shield - Polycarbonate

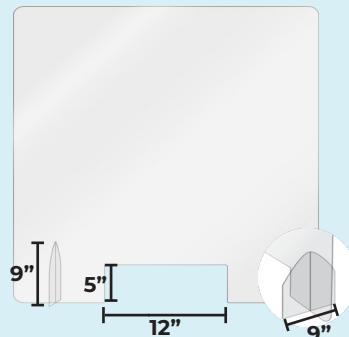
PASS THRU MODEL #	NO PASS THRU MODEL #	H X W	LIST PRICE
FPS1824PC-3	FPT1824PC-3	18" x 24"	\$94.00
FPS2418PC-3	FPT2418PC-3	24" x 18"	\$94.00
FPS2424PC-3	FPT2424PC-3	24" x 24"	\$114.00
FPS2448PC-3	FPT2448PC-3	24" x 48"	\$175.00
FPS3024PC-3	FPT3024PC-3	30" x 24"	\$127.00
FPS3036PC-3	FPT3036PC-3	30" x 36"	\$167.00

MADE IN THE USA 

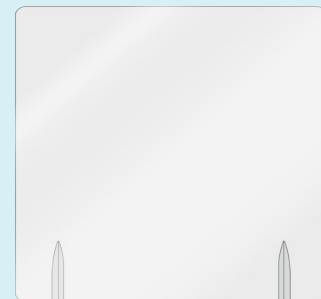
With Pass Thru



Pass Thru Dimensions



Without Pass Thru



# DESK TOP SPREAD PROTECTION SHIELDS



## The "U" Shield - Acrylic

MODEL #	H x W x D	LIST PRICE
USS242316-3	24" x 23" x 16"	\$137.00
USS303624-3	30" x 36" x 24"	\$246.00

## The "U" Shield - Polycarbonate

MODEL #	H x W x D	LIST PRICE
USSP242316-3	24" x 23" x 16"	\$177.00
USSP303624-3	30" x 36" x 24"	\$319.00

**Note: Custom Sizes on request**



## The "L" Shield - Acrylic

MODEL #	H x W x D	LIST PRICE
LSS242316-3	24" x 23" x 16"	\$107.00
LSS303624-3	30" x 36" x 24"	\$188.00

## The "L" Shield - Polycarbonate

MODEL #	H x W x D	LIST PRICE
LSSP242316-3	24" x 23" x 16"	\$134.00
LSSP303624-3	30" x 36" x 24"	\$239.00

**Note: Custom Sizes on request**



## Extended "U" Shield - Acrylic

MODEL #	H x W x D	LIST PRICE
EUSS242328-3	24" x 23" x 28"	\$187.00
EUSS303636-3	30" x 36" x 36"	\$290.00

## Extended "U" Shield - Polycarbonate

MODEL #	H x W x D	LIST PRICE
EUSSP242328-3	24" x 23" x 28"	\$245.00
EUSSP303636-3	30" x 36" x 36"	\$359.00

**Note: Custom Sizes on request**

**Note: Available with 1 side extended for easy passage**

## "U" Shaped Shield

The "U" Shaped Spread Protection Shield is specifically designed for desk top use in offices and schools.

Available in (2) popular sizes, the "U" Shaped Shields are made of (3) 3mm ( $\frac{1}{8}$ ") acrylic or polycarbonate sheets with smooth edges and rounded corners. Each section is easily joined with a flexible plastic hinge. All three sides are then attached to the desk top with the included self adhesive plastic channels.

## "L" Shaped Shield

The "L" Shaped Spread Protection Shield is specifically designed for desk top use in offices and schools.

Available in (2) popular sizes, the "L" Shields are made of (2) 3mm ( $\frac{1}{8}$ ") acrylic or polycarbonate sheets with smooth edges and rounded corners. Both sections are easily joined with a flexible plastic hinge. Both sides are then attached to the desk top with the included self adhesive plastic channels.

## Extended "U" Shaped Shield

The Extended U Shaped Spread Protection Shield is specifically designed for desk top use in offices and schools. Available in (2) popular sizes, the Extended Spread Protection Shield is made of (3) 3mm ( $\frac{1}{8}$ ") acrylic or polycarbonate sheets with smooth edges and rounded corners. The sidewalls extend 12" past the desk edge to protect adjacent occupants. Each section is joined with a flexible plastic hinge. All three sides are then attached to the desk top with the included self adhesive plastic channels.

**MADE IN THE USA** 

# SOCIAL DISTANCING QUEUING DEVICES

For banks, motor vehicle agencies, cafeterias and all areas where organized queuing is required. Choose from Form-A-Line System™ retractable posts in brass, satin, chrome and black. Belts are available in black, blue, green, purple, red or double sided printed with “Social Distancing 6ft” in black, red or yellow.

## Double Sided Printed “Social Distancing 6ft” Belt Colors



## Stanchions w/ “Social Distancing 6ft” Retractable Belt

STYLE	BLACK BELT	RED BELT	YELLOW BELT	LIST PRICE
BLACK	HBK-7PBK	HBK-7PRD	HBK-7PYE	\$194. <sup>00</sup>
CHROME	HC-7PBK	HC-7PRD	HC-7PYE	\$205. <sup>00</sup>
BRASS	HB-7PBK	HB-7PRD	HB-7PYE	\$216. <sup>00</sup>
SATIN	HS-7PBK	HS-7PRD	HS-7PYE	\$216. <sup>00</sup>

\*Printed belts are **ONLY AVAILABLE** in RED, YELLOW and BLACK with White Lettering

\*Stanchions are **SOLD INDIVIDUALLY**

## QUALITY CROWD CONTROL SYSTEMS

- 40”H posts
- 30lb **SOLID STEEL** base (40lbs total weight)
- 7’ long slow retracting belts
- Safety lock on all belts
- Protective rubber floor guards

## Standard Belt Colors



## Form-A-Line System™ w/ 7ft Retractable Belt

STYLE	BLACK BELT	BLUE BELT	GREEN BELT	PURPLE BELT	RED BELT	LIST PRICE
BLACK	HBK-7BK	HBK-7BL	HBK-7GR	HBK-7PU	HBK-7RD	\$178. <sup>33</sup>
CHROME	HC-7BK	HC-7BL	HC-7GR	HC-7PU	HC-7RD	\$189. <sup>15</sup>
BRASS	HB-7BK	HB-7BL	HB-7GR	HB-7PU	HB-7RD	\$199. <sup>95</sup>
SATIN	HS-7BK	HS-7BL	HS-7GR	HS-7PU	HS-7RD	\$199. <sup>95</sup>

\*Printed belts are **ONLY AVAILABLE** in RED, YELLOW and BLACK with White Writing

\*Stanchions are **SOLD INDIVIDUALLY**



21 Old Dock Road, Yaphank, NY 11980  
 Tel: (800) 246-6038 Fax: (631) 924-5461  
 Email: [inquire@aarcoproducts.com](mailto:inquire@aarcoproducts.com)  
 See us online at [www.aarcoproducts.com](http://www.aarcoproducts.com)

1/13/2021