



# Roll A-Frame™

Installation Instructions for  
Aarco Roll A-Frames

**AARCO**  
PRODUCTS INC.

## Tools Needed

- Tape Measure
- Safety Glasses
- Safety Gloves
- Screwdriver
- Drill
- Level

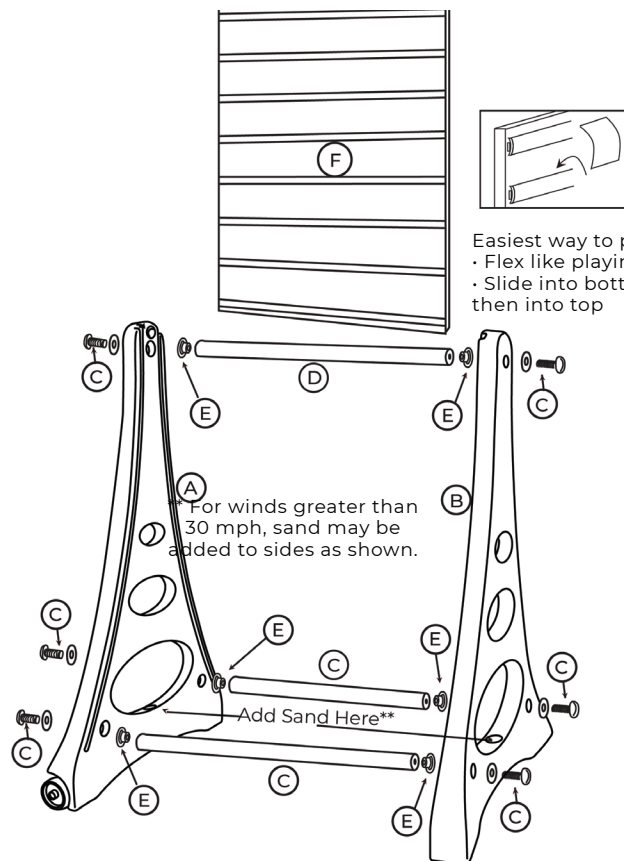
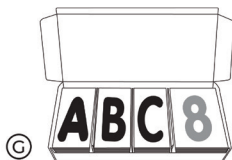
## Hardware Needed

- All parts included

## Installation

1. Remove all parts from box.
2. Remove screws and washer (C) from spanner tubes (C).
3. Attach 1 Top pre-assembled spanner tubes (D), 2 Bottom pre-assembled spanner tubes (C) into upright (A) left side first, attach screws and large metal washers (C), insert spanner tube cap (E) tighten, then same on right side (B).
- 4 **For Raf-1, Raf-2, Raf-3, Raf-4, Raf-5:** Slide in letterboard panels (F), as in Fig.1.  
**For Raf-6:** Slide in your own signs or graphics.
5. Stand back and admire your New Aarco **Roll-A-Frame™**

Figure 1



## Parts Included

### RAF-1 & RAF-2

PART LIST	QUANTITY	DESCRIPTION
A	1	Left upright with wheels
B	1	Right upright without wheels
C	2	Spanner tubes with screws
D	1	Top spanner with tubes w/screws
E	6	Spanner tube caps
F	2	Letterboard Assemblies
G	1	Letter Set (354 pieces)
*	1	8" Deluxe Letter Set (Raf-2)

### RAF-3 & RAF-4

PART LIST	QUANTITY	DESCRIPTION
A	1	Left upright with wheels
B	1	Right upright without wheels
C	2	Spanner tubes with screws
D	1	Top spanner with tubes w/screws
E	6	Spanner tube caps
F	2	Letterboard Assemblies
G	1	Letter Set (354 pieces)
*	1	8" Deluxe Letter Set (Raf-4)

### RAF-5

PART LIST	QUANTITY	DESCRIPTION
A	1	Left upright with wheels
B	1	Right upright without wheels
C	1	Spanner tubes with screws
D	2	Top spanner with tubes w/screws
E	6	Spanner tube caps
F	2	Write on panels

### RAF-6

PART LIST	QUANTITY	DESCRIPTION
A	1	Left upright with wheels
B	1	Right upright without wheels
C	1	Spanner tubes with screws
D	2	Top spanner with tubes w/screws
F	6	Spanner tube caps