



Installation Instructions for
The Rocker™ 1, 2

AARGO
PRODUCTS INC.

Tools Needed

- Tape Measure
- Safety Glasses
- Safety Gloves
- Screwdriver
- Drill
- Level

Hardware Needed

- All parts included

Installation

1. Remove all parts from box.
2. Line up pre drilled holes in Frame Board (J) with Holder (D) insert Self Tapping Screws (E) Front & Back tighten screws (See Figure 1).
3. Assemble Spanner Tubes (B) to Uprights (A) Left and Right, hand tighten Large Screws (F) and Large Washers (H) insert spanner tube cap (C) tighten.
4. Insert Small Screw (G) and Small Washer (I) to Upright (A) Tighten.
5. Enjoy your New Arco Rocker™.

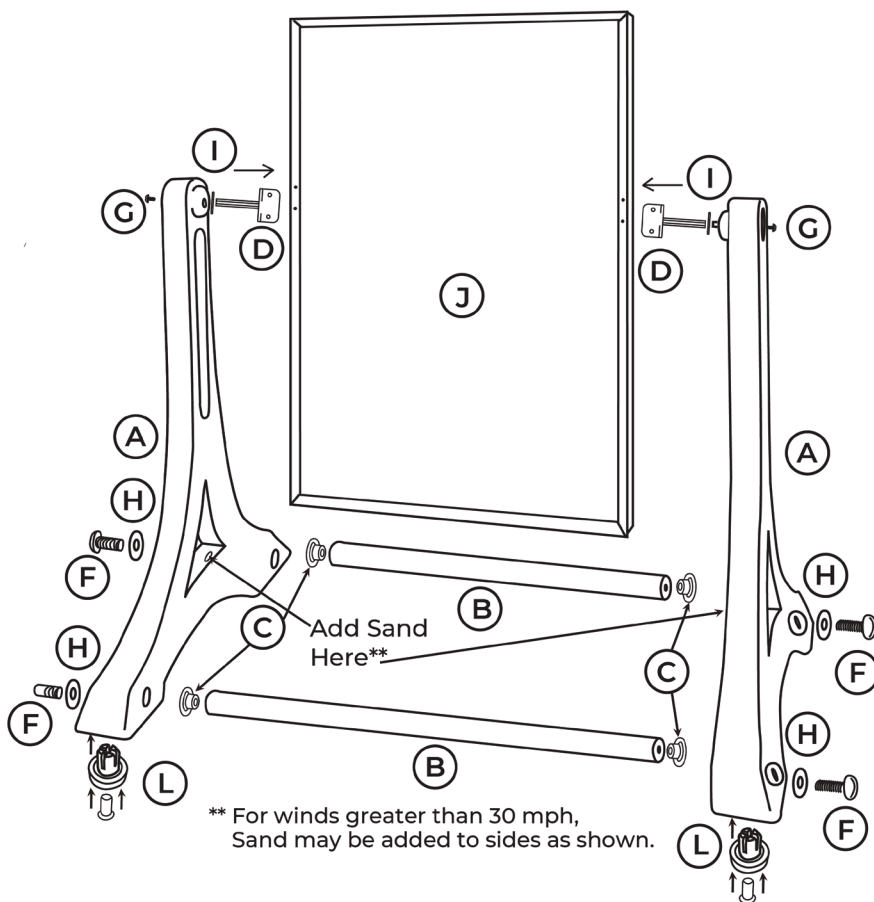
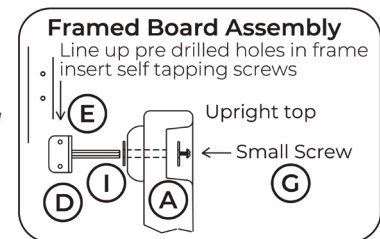


Figure 1



Parts Included

ROC-1

PART LIST	QUANTITY	DESCRIPTION
A	2	Uprights
B	2	Bottom Spanner Tubes
C	4	Spanner Tube Caps
D	2	Holder
E	8	Self Tapping Screws
F	4	Large Screws
G	2	Small Screws
H	4	Large Washers
I	2	Small Washers
J	1	Letter Board
K	1	Letter Set (354 Pieces)
L	4	Feet (2 Pieces)

ROC-2

PART LIST	QUANTITY	DESCRIPTION
A	2	Uprights
B	2	Bottom Spanner Tubes
C	4	Spanner Tube Caps
D	2	Holder
E	8	Self Tapping Screws
F	4	Large Screws
G	2	Small Screws
H	4	Large Washers
I	2	Small Washers
J	1	Write-On Markerboard
K	6	Neon Markers
L	4	Feet (2 Pieces)