



Radius Indoor & Outdoor Cabinets

Installation Instructions for
Radius Indoor & Outdoor Cabinets



Tools Needed

- Tape Measure
- Safety Glasses
- Screwdriver
- Drill
- Level

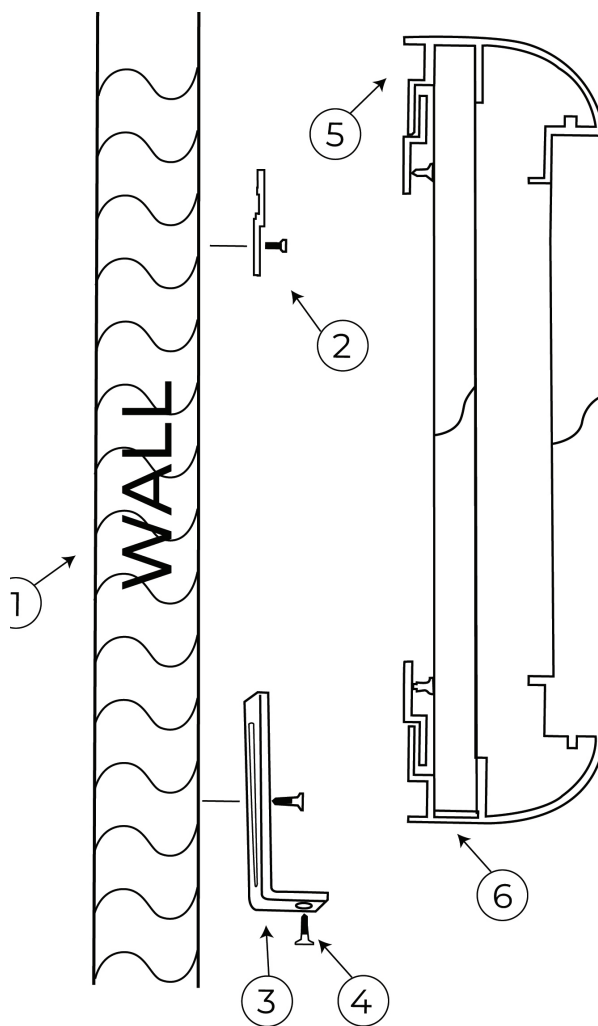
Hardware Needed

- All parts included

Installation

1. Attach upper hanging clips (2) and L bracket (3) to wall (1) to desired height of unit.
2. Hanger clips enter in lip of upper frame of unit.
3. Bottom/base of unit sits on L brackets.
4. Screw from bottom of L bracket to bottom/base of unit to hold unit in securely.

Note: Customers must supply appropriate screws for mounting to wall surfaces.



Parts

PART LIST	QUANTITY	DESCRIPTION
2	2	Hanging Clips
3	2	L Brackets
4	4	Screws