



Indoor and Outdoor Cabinets

Installation Instructions for
Enclosed Bulletin Boards

AARGO
PRODUCTS INC.

Tools Needed

- Tape Measure
- Safety Glasses
- Safety Gloves
- Screwdriver
- Drill
- Level

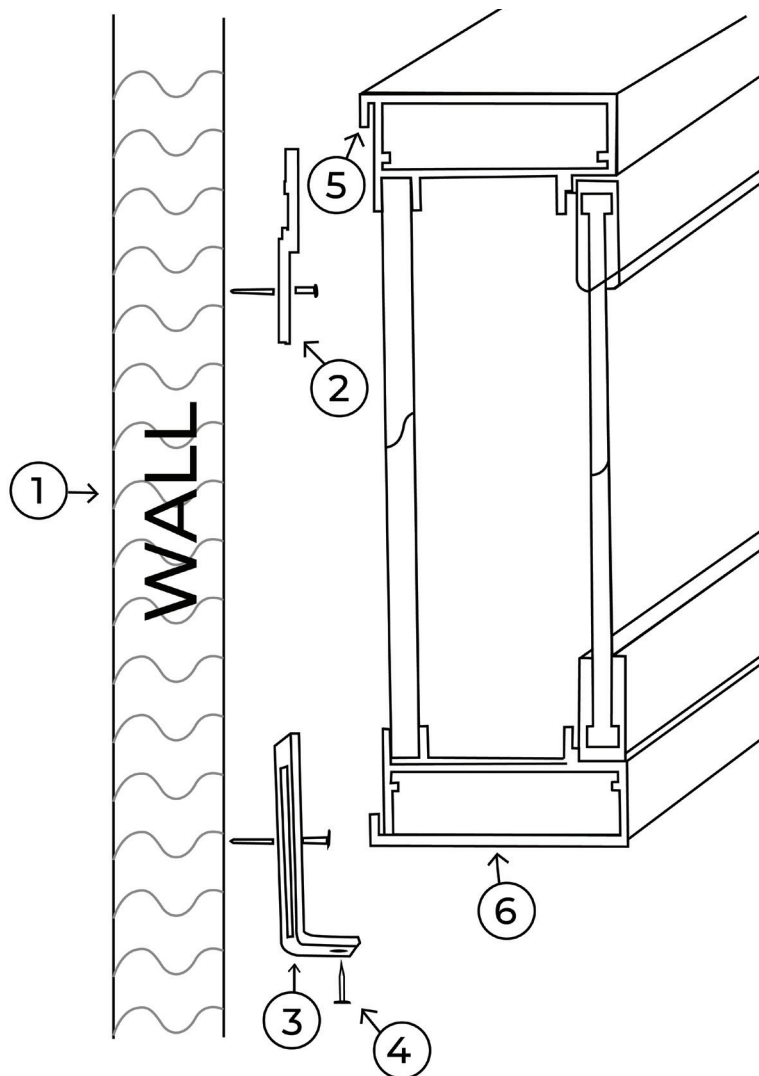
Hardware Needed

- Screws
- Wall Anchors

Installation

1. Attach upper hanging clips (2) and L bracket (3) to wall (1) to desired height of unit.
2. Hanger clips enter in lip of upper frame of unit.
3. Bottom/Base of unit sits on L brackets.
4. Screw from bottom of L bracket to bottom/base of unit to hold unit in securely.

Note: With outdoor model be sure cabinet is right side up with vent caps at the top.



Parts Included

PART LIST	QUANTITY	DESCRIPTION
2	2	Hanging Clips
3	2	L Bracket
4	4	Screws